



# RAYZR 7

**TLCI 98 . 300 W . 6KG**

We packed 300 Watt of high powered quality [TLCI up to 98] LED's into a compact and lightweight 7" fresnel to give you full control anywhere. The all new Rayzr 7.



## Brightness

- > 300 Watt and 200 Watt options
- > 1.5 times brighter than 1K (1000W) tungsten fresnel
- > 10" LED fresnel performance in 7" size
- > Flicker free up to 15000 fps
- > Suited for even the most light hungry application



## Color & Control

- > TLCI up to 98
- > Pure white light with truthful color rendition
- > Daylight and Bi-color models available
- > Even and uniform light beam
- > Full control over light beam shaping
- > DMX built-in and Wi-fi as an option



## Compact & Lightweight

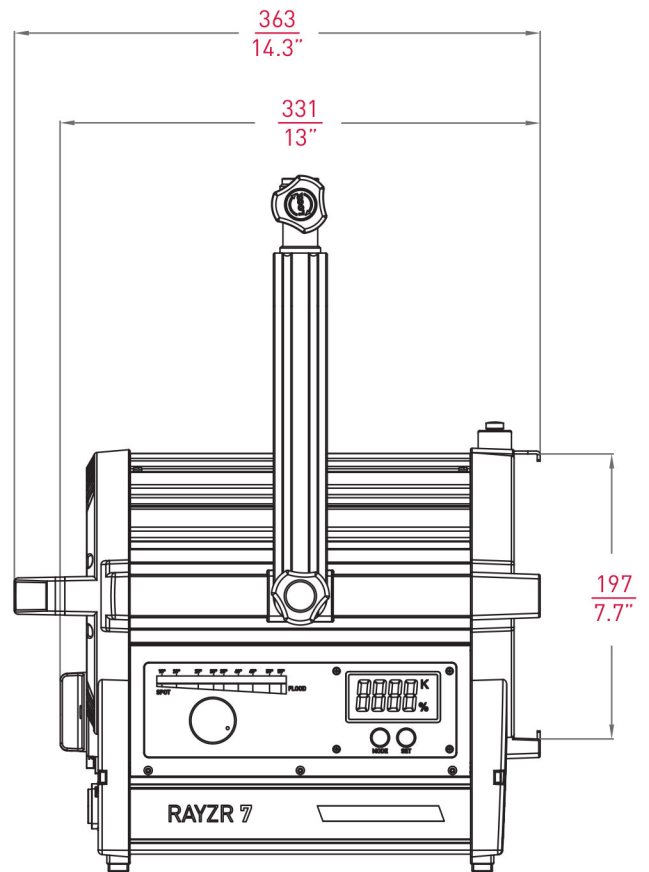
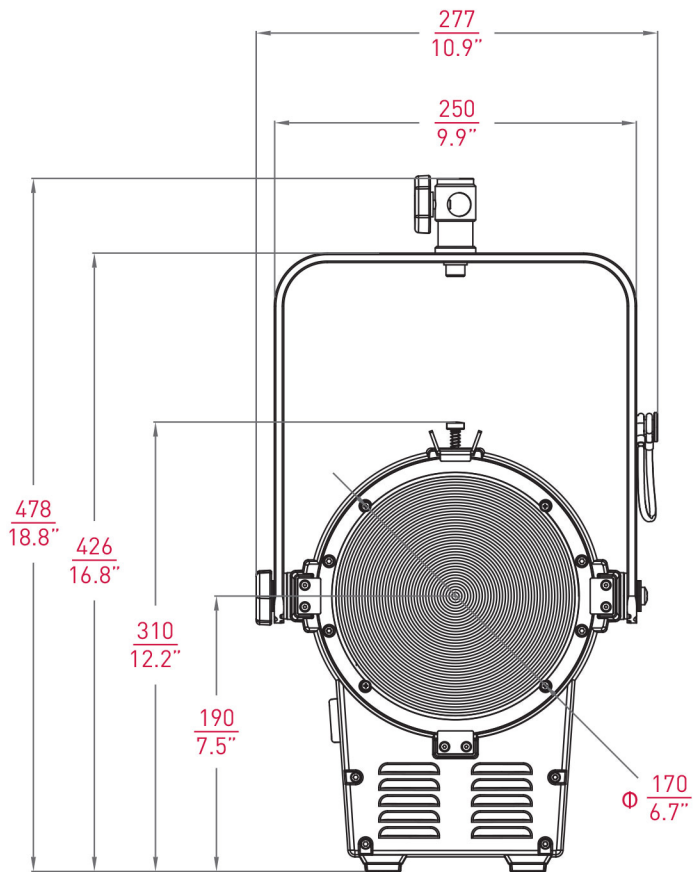
- > Power efficient LED lights
- > Powered from batteries without any reduction in brightness
- > Smaller and lighter than other 7" fresnels
- > Weight of only 6.4 KG (14.1 lbs.)
- > Rugged and durable housing

## Models

### 300 DAYLIGHT

- > Daylight 5,600 K
- > LED power 300 W
- > Beam angle 18° - 55°
- > Battery 24 - 36 V DC
- > Advanced Vapor Cooling System
- > 100% brighter than 300B

## Dimensions



Type Of Lamphead	Rayzr 7 - M
Lamp	LED
Accessories	197mm / 7.7"
Barndoor	197mm / 7.7"

Packed Size	540×355×430 mm
Packed Volume	82 L
Lenses	170mm / 6.7"
File Name	Rayzr 7

### STANDARD PACK (Rayzr 7 LED Fresnel + Stand Mount + Power Cable)

Model	Rayzr 7-300 Standard Pack
Item No.	EU: 123050011221 US: 123050011231
Net Weight	6.4 kg (14.1 lbs)
Packed Weight	7.2 kg (15.9 lbs)

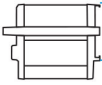
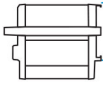
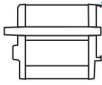
Specifications

RAYZR 7		300 DAYLIGHT	
<b>LIGHT</b>			
LED Power	300 W		
Beam Angle	18° - 55° (Half Peak Angle)		
White Light	Daylight 5,600 K		
Color Temperature Tolerance			
Color Rendition			
Dimming			
Control			
Estimated LED Lifetime			
<b>POWER</b>			
Power Voltage Range	180-264 V AC, 50-60 Hz (EU) 90-132 V AC, 50-60 Hz (US)		
Input Current Range	Max. 2.0A@180V, 1.3A@264V Max. 3.9A@90V, 2.7A@132V		
Power Consumption	331 W Nominal 352 W Maximum		
Power Connection			
Battery DC Power Voltage Range			
Battery DC Input Current Range	Max. 13.75A@24V 9.17A@36V		
Battery DC Power Consumption	311 W Nominal 330 W Maximum		
Battery DC Power Connection	Neutrik speak ON NL2MP; Plug: Neutrik speak ON NL2FX		
<b>GENERAL</b>			
Optical System	Focusable Fresnel		
Lens Diameter	170 mm / 6.7 inch		
Thermal Design	Advanced Vapor Cooling System		Silent Passive Cooling
Mounting	16 mm / 28 mm Combo Pin (Baby 5/8 inch / Junior 1-1/8 inch Combo Pin)		
Tilt Angle	+/- 90°		
Housing Color	Black		
Ambient Temperature Operation	-20 to +45° C (-4 to +113° F)		
Protection Class	IP 20		
Certifications	CE, FCC, RoHS, REACH		

All specifications are nominal / typical values.

## Photometric Data (preliminary results)

### 300 DAYLIGHT

Distance	3 m	5 m	7 m	9 m	Distance	3 m	5 m	7 m	9 m	Distance	3 m	5 m	7 m	9 m
Illuminance					Illuminance					Illuminance				
	10675 lx	3843 lx	1961 lx	1187 lx		5819 lx	2095 lx	1069 lx	674 lx		2565 lx	924 lx	472 lx	285 lx
<b>Spot: 18°</b>	992 fc	357 fc	182 fc	110 fc	<b>Middle: 30°</b>	541 fc	195 fc	99 fc	60 fc	<b>Flood: 50</b>	238 fc	86 fc	44 fc	26 fc